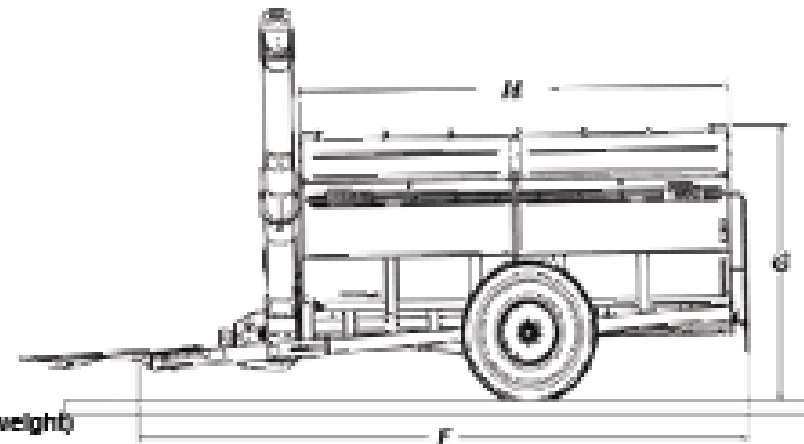
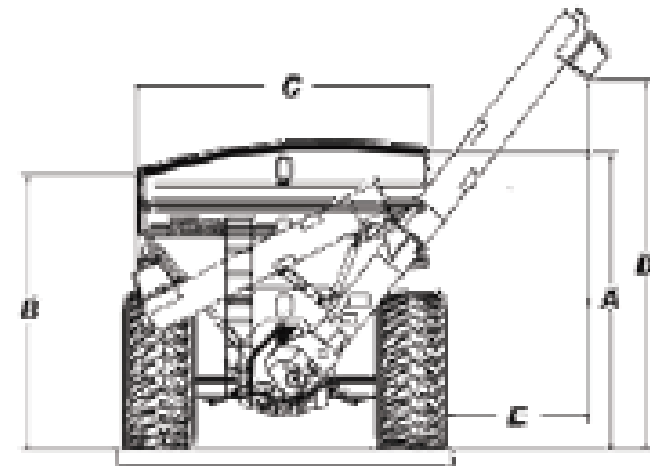


Specifications

Model	1950
Capacity	1,100 bu
Unloading Time	400 bu./min.
Hitch, standard	Single
Approx. empty weight	11,360 lbs.
Est. loaded tongue weight	4,500 lbs.
Vertical auger size	16"
Horizontal auger size	14"
Spindle diameter	4.5"
PTO yoke, standard	1-3/4" 20 spline
A	11'5"
B	10'7"
C	12'
D	14'2"
E	5'9"
F	28'4"
G	11'10"
H	20'1"



*Capacities measured with #2 corn @ 15% moisture (56 lb. test weight)
 Weight derived from using 900/60x32 wheel and tire